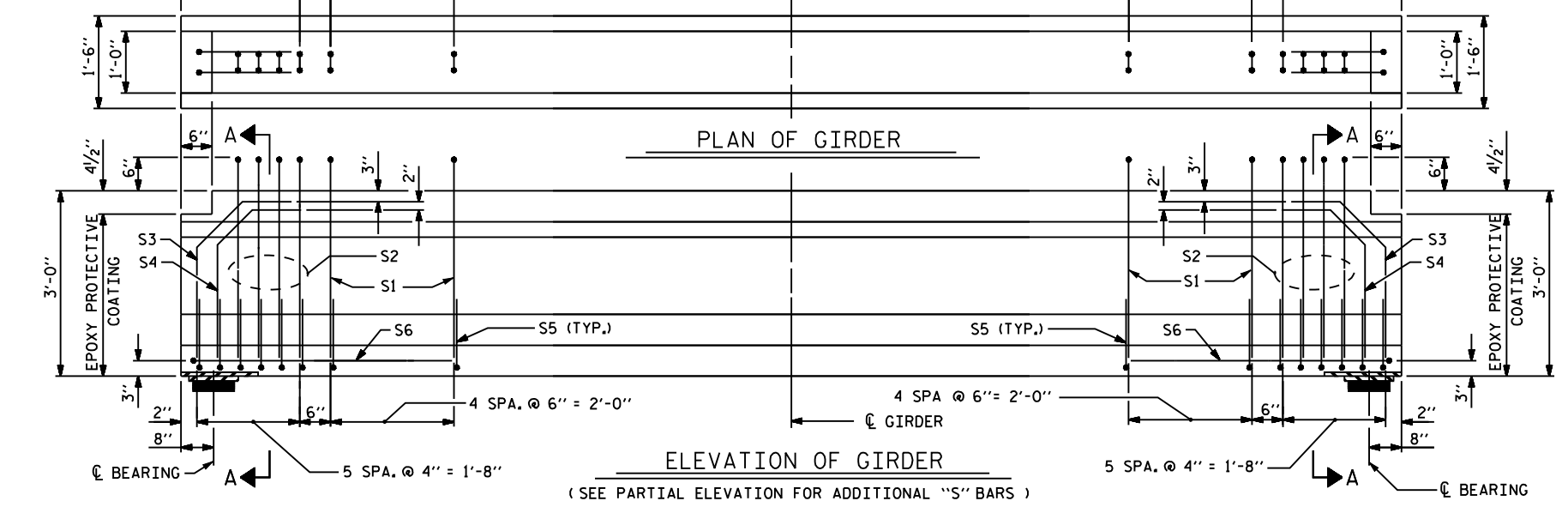
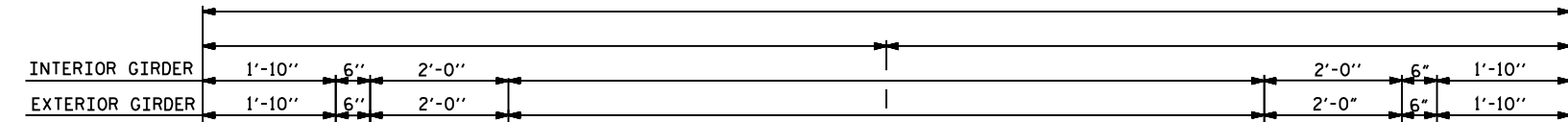


EMBEDDED PLATE "B-1" DETAILS
TWO EMBEDDED PLATES "B-1" ARE REQUIRED FOR EACH GIRDER.



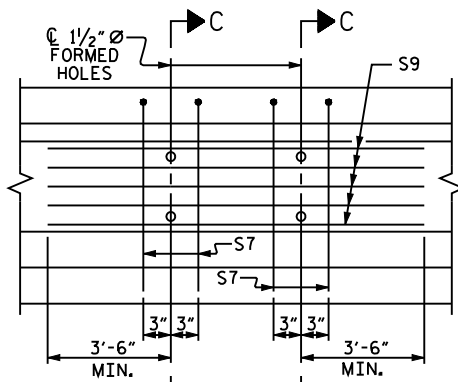
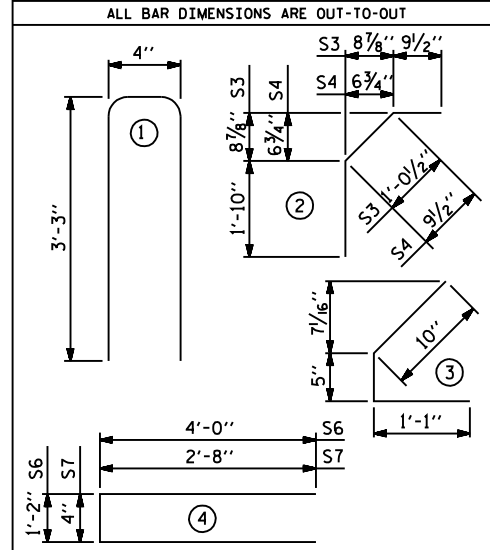
ASSEMBLED BY :	DATE :
CHECKED BY :	DATE :
DRAWN BY : JMB 12/87	REV. 7/17/98 RWW/LES
CHECKED BY : ARB 12/87	REV. 8/16/99RR RWW/LES
	REV. 5/1/06R TLA/GM

NOTES

ALL PRESTRESSING STRANDS SHALL BE 7-WIRE LOW-RELAXATION GRADE 270 STRANDS AND SHALL CONFORM TO AASHTO M203 EXCEPT FOR SAMPLING REQUIREMENTS WHICH SHALL BE IN ACCORDANCE WITH THE STANDARD SPECIFICATIONS.
 APPLY EPOXY PROTECTIVE COATING TO END OF GIRDER SURFACES.
 EMBEDDED PLATE "B-1" SHALL BE GALVANIZED IN ACCORDANCE WITH THE SPECIFICATIONS.
 BEVEL EDGES OF PLATE "B-1" TO GIVE CLOSE FIT BUT NOT TIGHT FIT TO STEEL CASTING FORM.
 ANCHOR STUDS SHALL CONFORM TO AASHTO M169 GRADES 1010 THROUGH 1020 OR APPROVED EQUAL, AND SHALL MEET THE TYPE "B" REQUIREMENTS OF SUBSECTION 7.3 OF THE ANSI/AASHTO/AWS D1.5 BRIDGE WELDING CODE.
 ALL PRESTRESSED STRANDS SHALL BE CUT FLUSH WITH THE GIRDER ENDS.
 THE TRANSFER OF LOAD FROM THE ANCHORAGES TO THE GIRDER SHALL BE DONE WHEN CONCRETE HAS REACHED A COMPRESSIVE STRENGTH OF NOT LESS THAN ---- PSI.
 DEPENDING ON THE TYPE OF SYSTEM USED TO SUPPORT THE DECK SLAB FORMS, PRESET ANCHORS MAY BE NECESSARY IN THE PRESTRESSED CONCRETE GIRDER.
 THE TOP SURFACE OF THE GIRDER SHALL BE RAKED TO A DEPTH OF 1/4" EXCEPT IN THE AREA BETWEEN THE STIRRUP AND THE EDGE OF THE GIRDER.
 WHEN DRAPED STRANDS ARE DETAILLED, THE LONGITUDINAL LOCATION OF THE HOLD DOWN DEVICES SHALL BE WITHIN 6" OF THE LOCATION SHOWN AND THE CENTER OF GRAVITY OF THE GROUP OF DRAPED STRANDS SHALL BE LOCATED WITHIN 1/2" OF THE THEORETICAL LOCATION SHOWN.
 FOR PRESTRESSED CONCRETE MEMBERS, SEE SPECIAL PROVISIONS.

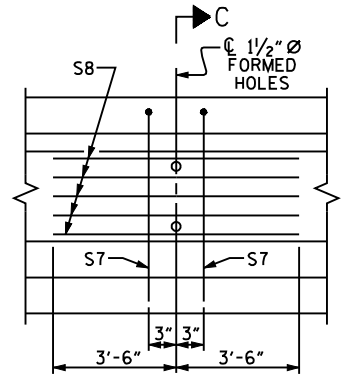
0.6" Ø L. R. GRADE 270 STRANDS					
AREA (SQ. INCHES)	ULTIMATE STRENGTH (LBS. PER STRAND)	APPLIED PRESTRESS (LBS. PER STRAND)			
0.217	58,600	43,950			
REINFORCING STEEL FOR ONE GIRDER					
BAR	NUMBER	SIZE	TYPE	LENGTH	WEIGHT
EXTERIOR GDR.	S1	#4	1	6'-10"	
INTERIOR GDR.	S1	#4	1	9'-10"	
	S2	#5	1	6'-10"	57
	S3	#5	2	3'-8"	15
	S4	#5	2	3'-5"	14
	S5	#4	3	2'-4"	69
	S6	#4	4	9'-2"	12
EXTERIOR GDR.	S7	#5	4	5'-8"	
INTERIOR GDR.	S7	#5	4	5'-8"	
EXTERIOR GDR.	S8	#4	STR	7'-0"	
INTERIOR GDR.	S	#4	STR		

BAR TYPES



PARTIAL ELEVATION

SHOWING INTERMEDIATE DIAPHRAGM REINFORCING STEEL FOR GIRDER Nos. ----- (FOR INTERIOR GDRS. WITH SKEW < 70° OR SKEW > 110°)



PARTIAL ELEVATION

SHOWING INTERMEDIATE DIAPHRAGM REINFORCING STEEL FOR GIRDER Nos. ----- (FOR ALL EXTERIOR GIRDERS AND INTERIOR GIRDERS WITH 70° ≤ SKEW ≤ 110°)

QUANTITIES FOR ONE GIRDER

	REINFORCING STEEL	PSI CONCRETE	0.6" Ø L. R. STRANDS
	LB.	C.Y.	No.
EXTERIOR GIRDER			
INTERIOR GIRDER			

GIRDERS REQUIRED

NUMBER	LENGTH	TOTAL LENGTH

PROJECT NO. _____
 COUNTY _____
 STATION: _____

STATE OF NORTH CAROLINA
 DEPARTMENT OF TRANSPORTATION
 RALEIGH
 STANDARD
 AASHTO TYPE II
 PRESTRESSED CONCRETE GIRDER

REVISIONS						SHEET NO.
NO.	BYs	DATEs	NO.	BYs	DATEs	
1			3			TOTAL SHEETS
2			4			